



# MFZ-KA25VA

Inverter Heat Pump

R410A Floor Mounted Unit

This series is extremely versatile and is designed for wall attached installation at floor level. The auto swing vane provides a more natural and comfortable airflow throughout the room and the lightweight, compact design makes installation Easy.



Pictures not to scale

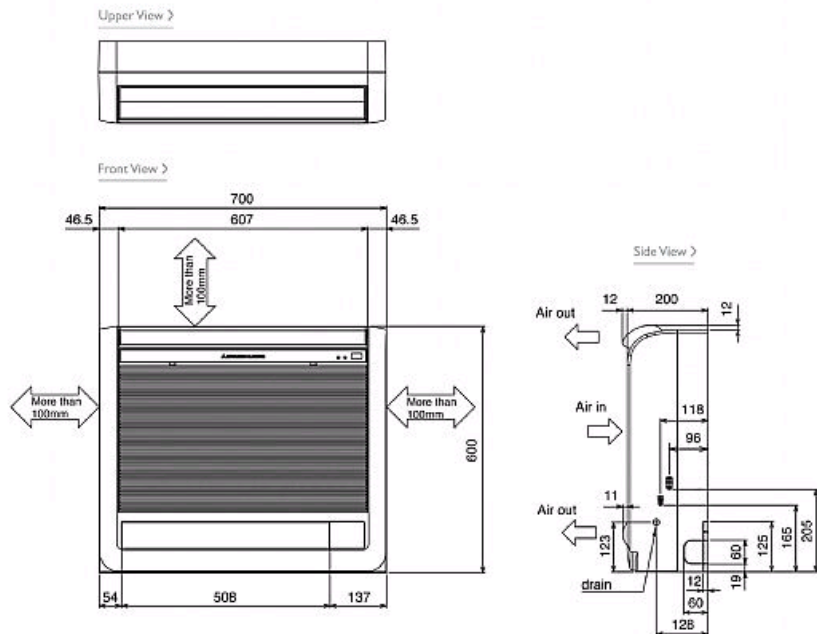
## Product Details

MFZ-KA25VA Indoor Unit	
Capacity (kW):	
Heating (Nominal) (Low - High)	3.40 (0.90 - 5.10)
Cooling (Nominal) (Low - High)	2.50 (0.90 - 3.40)
Heating (UK) (Low - High)	2.85 (0.75 - 4.25)
Cooling (UK) (Low - High)	2.50 (0.90 - 3.35)
SHF R410A (Nominal)	0.66
COP / EER (Nominal)	4.07 / 4.31
Energy Label Heating / Cooling	A / A
Width - mm	700
Depth - mm	200
Height - mm	600
Weight - kg	14
Airflow (m3/min) (Heating /Cooling) - Lo-Mi1-Mi2-Hi	5-6.2-7.6-9.4 / 4.8-5.8-7.1-8.9
Noise (dBA) (Heating /Cooling) - Lo-Mi1-Mi2-Hi	22-27-32-37 / 22-27-32-37
Pipe Size Gas mm (in)	9.52 (3/8)
Pipe Size Liquid mm (in)	6.35 (1/4)
Electrical Supply	Fed by Outdoor Unit
Phase	Single
Fuse Rating (BS88) - HRC (A)	6
Interconnecting Cable No. Cores	4

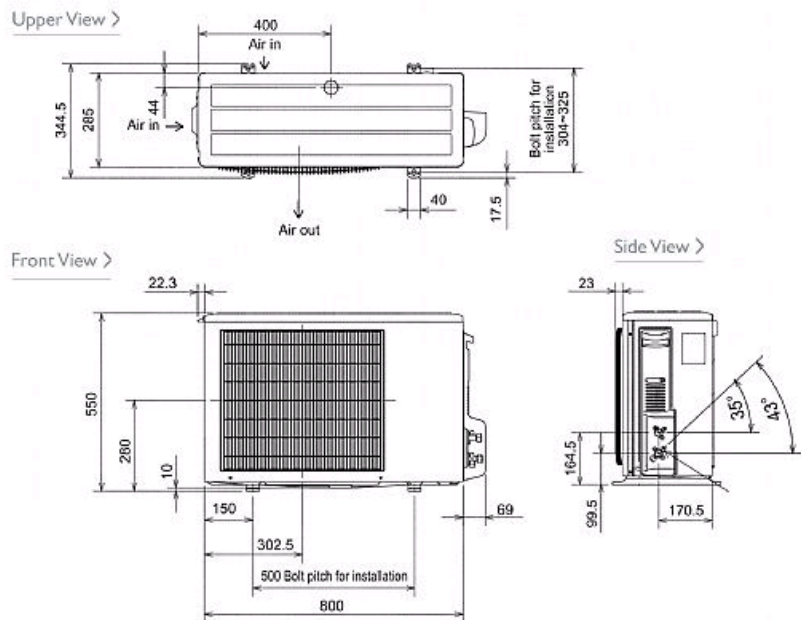
SUZ-KA25VA2 Outdoor Unit	
Width - mm	800
Depth - mm	285
Height - mm	550
Weight - kg	33
Noise (dBA) (Heating /Cooling)	46 / 46
Electrical Supply	220-240v, 50Hz
Phase	Single
Fuse Rating (BS88) - HRC (A)	10
SystemPower Input (kW) - Heating (Nominal)	0.835
SystemPower Input (kW) - Cooling (Nominal)	0.58
SystemPower Input (kW) - Heating (UK)	0.76
SystemPower Input (kW) - Cooling (UK)	0.46
Starting Current (A)	3.65
SystemRunning Current (A) - Heating / Cooling	3.85 / 3.25
Mains Cable No. Cores	3
Max Pipe Length (m)	20
Max Height Difference (m)	12
Charge (kg) - 7m	0.8

## Dimensions

### MFZ-KA25VA



### SUZ-KA25VA2



Telephone: 01707 282880

Email: [air.conditioning@meuk.mee.com](mailto:air.conditioning@meuk.mee.com) Website: <http://www.mitsubishielectric.co.uk/aircon>

ALPOLLO AIR CONDITIONING LTD  
 UNIT 4 FREELAND WAY  
 SLADE GREEN, ERITH, KENT  
 DA8 2LQ  
 Tel: 0870 428 0968  
 Fax: 0870 428 0969



Mitsubishi Electric reserves the right to make any variation in technical specification to the equipment described, or to withdraw or replace products without prior notification or public announcement.